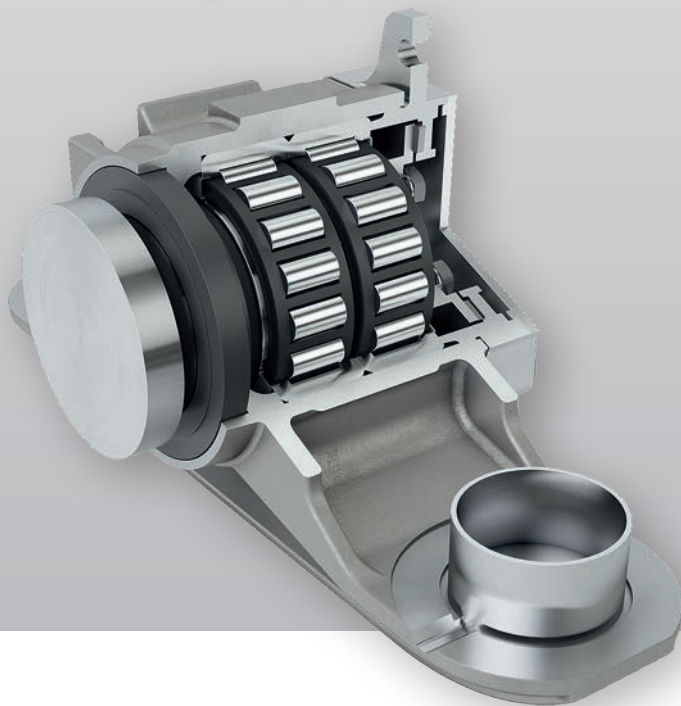


Rolling bearings

Plain bearings

Linear technology

# Axlebox Generator for Railway Applications



**FAG**

**SCHAEFFLER**

# Axlebox Generator for Railway Applications

## Product features

Independent power generator for use in railcars as low- or highpower version

## Technical advantages

- Cost-effective and reliable power supply solution for every railway application
- Supplies electrical energy in a wide range of train speeds between 15 – 180 km/h
- Standardized housing design can be flexibly adapted
- Integrated on-board status analysis (optional)

## Customer benefits

- Provides power for a range of railway applications, e.g., GPS, condition monitoring, lighting, braking assistant and hopper wagon
- Generator design optimized for railway applications
- SIL 2 (upgradeable to SIL 3)
- Easy mounting
- Can be easily integrated into railway applications

## Integration/installation

Rotor permanent magnet generator in compact disc design

## Performance data high-power generator

- 90 W at a train speed up to 100 km/h
- 200 W at a train speed up to 150 km/h
- 260 W at a train speed up to 180 km/h

## Performance data low-power generator

- 30 W at a train speed up to 35 km/h
- 50 W at a train speed up to 85 km/h

