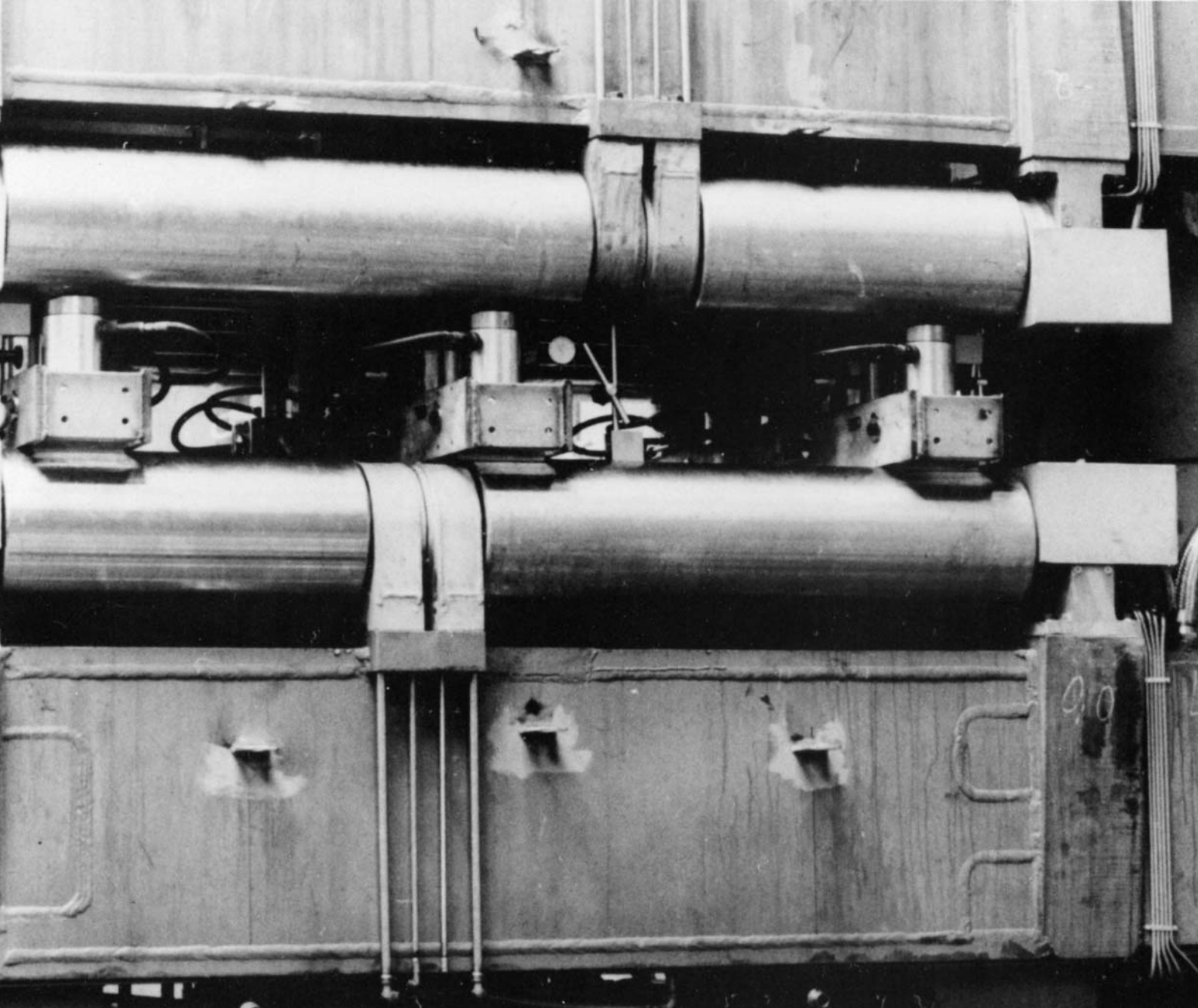


Bearings for a Twin-Strand Continuous Casting Mill for Slabs

FAG

Examples of Application Engineering

WL 17 519 GB-D



Manufacturer: Mannesmann Demag Hüttentechnik

Operator: Corus Strip Products IJmuiden, Netherlands

Both single and twin slabs (twin-casting-process) are cast in twin-strand continuous casting mills. Single slabs are 225/250 mm thick and 900 to 2 100 mm wide.

In the twin-casting process 4 slabs are cast simultaneously. Their dimensions are: 225/250 × 900/950 mm. Subsequent cutting of wide single slabs into strips is not necessary with the twin slabs.

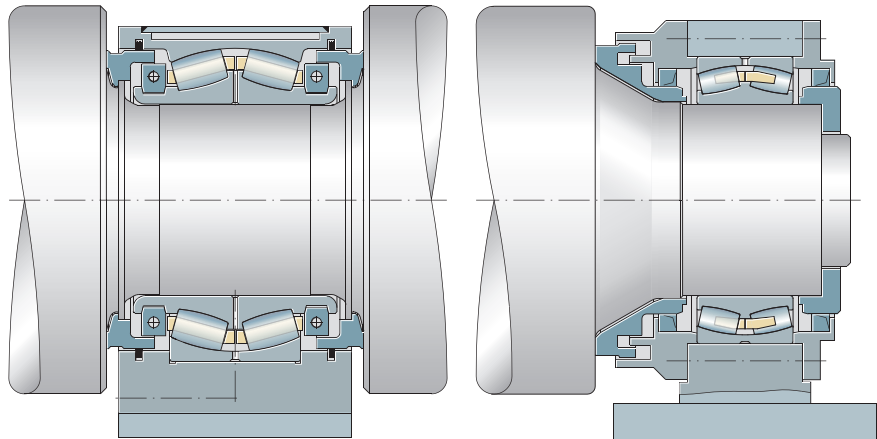
SCHAEFFLER GROUP
INDUSTRIAL

Strand Guide Roll Bearings

The casting strand is guided by driven and non-driven rolls of various diameters.

Driven rolls

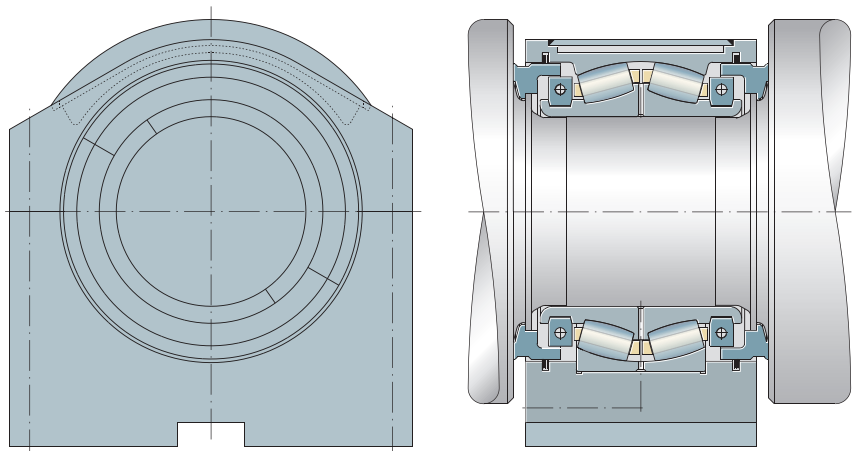
The driven rolls stretch through the entire width in one piece. For this reason they are supported in the middle by a split spherical roller bearing. This mid bearing is located in a watercooled plummer block housing. The outer bearings are unsplit spherical roller bearings.



Driven roll, diameter 325 mm

Non-driven rolls

Non-driven rolls are split in the middle which is why they are carried in the same unsplit spherical roller bearings on the outside and in the center. The middle housings are also watercooled.



Operating Data

Outer bearings

Spherical roller bearing

FAG **24032-S-MB**

Dimensions d 160 mm
 D 240 mm
 B 80 mm

Speed n 1,5 min⁻¹
 Static load rating C₀ 1 250 kN
 Load while casting 155 kN
 max. 810 kN

Mid bearing (driven rolls)

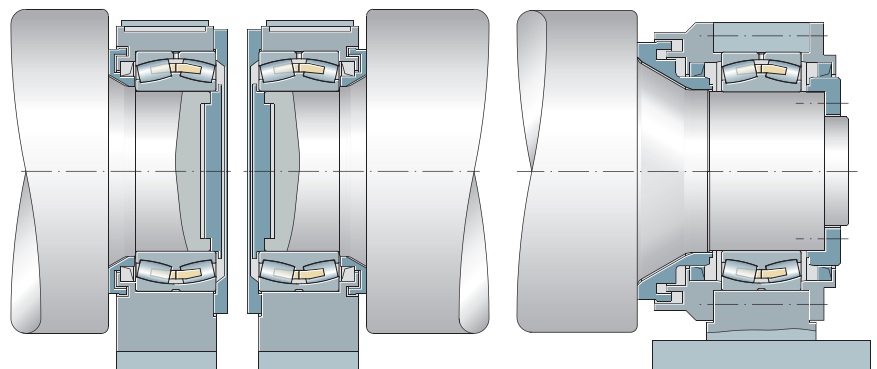
Split spherical roller bearing

FAG **Z-567093.PRL**

Dimensions d 160 mm
 D 270 mm
 B 170 mm

Speed n 1,5 min⁻¹
 Static load rating C₀ 1 530 kN
 Load while casting 380 kN
 max. 1 080 kN

Pillow block housing Z-163800.SZA-SL160-Z-AB
 with split spherical roller bearing Z-567093.PRL



Non-driven roll, diameter 325 mm

Schaeffler KG

Heavy Industries
 Steel

Georg-Schäfer-Strasse 30
 97421 Schweinfurt (Germany)

Phone +49 9721 91-0

Fax +49 9721 91-3435

E-Mail steel@schaeffler.com

Internet www.fag.com