



**FAG**

REGISTERED OFFICE:  
**Schaeffler India Limited**  
Nariman Bhavan, 8th Floor,  
227, Backbay, Reclamation,  
Nariman Point, Mumbai-400 021  
Maharashtra, India.  
[www.schaeffler.co.in](http://www.schaeffler.co.in)

Customer Care Toll Free No.  
**1800 258 2591**

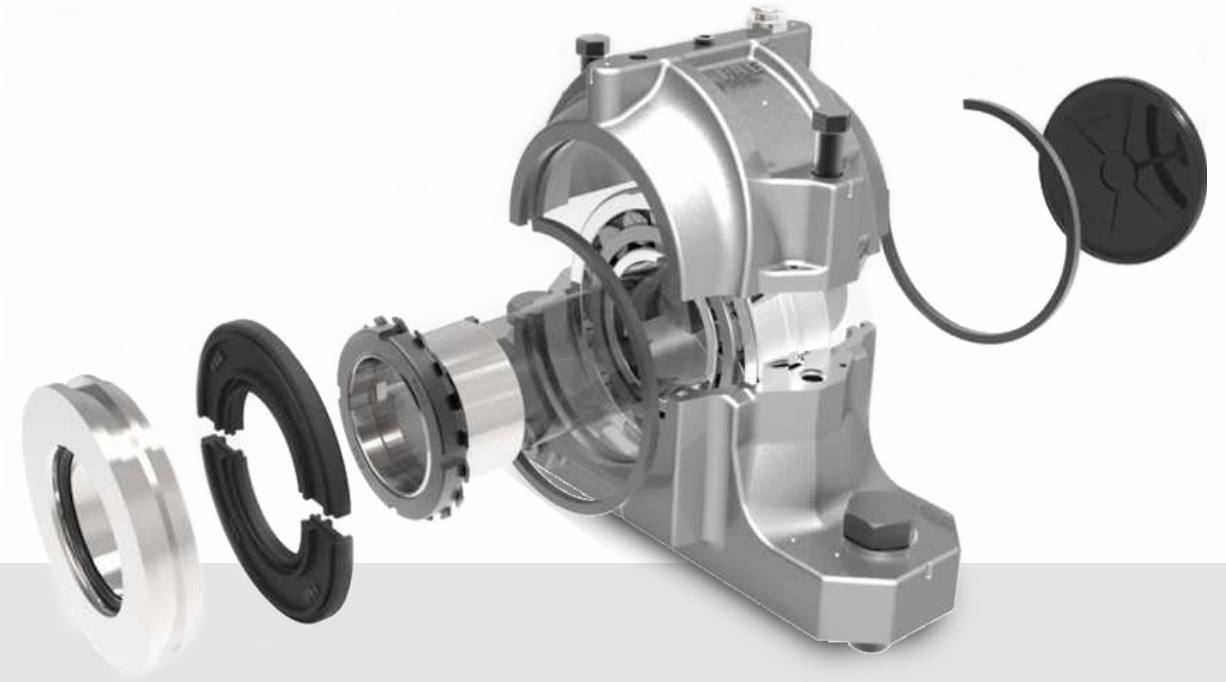
Customer Care E-mail  
[ccindia@schaeffler.com](mailto:ccindia@schaeffler.com)

**Disclaimer:**

Every care has been taken to ensure the correctness of the information contained in this publication, but no liability can be accepted for any errors or omissions. We reserve the right to make technical changes. This publication or parts thereof may not be reproduced without our permission.

**The Complete Solutions Kit**  
Spilt Plummer Block housing SNV

## Wide Applications



## Experience End to End Schaeffler Excellence

The latest innovation in our product development is the complete SNV Housing kit – with seals and end covers.

Born in Germany, the Schaeffler FAG SNV housing kit represents an integrated bearing solution that delivers performance, productivity and efficiency. Designed according to the modular system these

housings are manufactured at a precision facility, with the highest level of quality control. To deliver customers premium performance, we ensure perfection across the geometric parameters of housings ie., roundness of bore, parallelism of interfaces and surface finish to ensure perfect mounting of bearing and shaft.

### The Tougher, Smarter & Efficient Choice

- Longer rolling bearing life due to accurate mounting
- Easy interchangeability owing to dimensional adherence to market standards
- Reduced maintenance and fewer down times
- Simplified stockholding due to modular concept
- Very high load support for bearing housing units
- Optimized for fitting condition monitoring and re-lubrication systems
- Double lip seals, labyrinth seals, felt seals, V ring seals, combined seals or special seals can be used for additional Protection





# Designed to be Superior

## Wide Applications

Split FAG plummer block housings SNV and the associated bearings form bearing arrangement units that can be matched, through the appropriate selection of accessories, to a wide range of applications. Applications include agricultural machinery, the paper processing industry, mining, materials processing, the steel industry and power stations.

## Quick to Mount...

A technician requires approximately 8 to 20 minutes to drill just one of the center-punched lubrication holes. And he carries out the same procedure 10 or 100 times, depending on the application. You can quickly calculate how much working time can be saved by using the new SNV housings from FAG. Because they are predrilled!

The new split plummer block housings SNV052-F to SNV340-F are particularly easy to fit and maintain. As a result, it is no longer necessary to use special housing designs in many standard applications.

## 20 to 160 mm 3/4 to 5 1/2 inch

Split plummer block housings of the series SNV are available for shaft diameters 20 mm to 160 mm and 3/4 inches to 5 1/2 inches



## Modular Concept

The housings are designed in accordance with a modular concept. Each housing can be fitted with rolling bearings of various diameters and width series if they have the correct outside diameter for the housing.

Depending on their design, the bearings can be located either directly on the shaft or by means of an adapter sleeve. This gives different shaft diameters for the same bearing size. The spacing between the shaft and housing body are compensated by means of appropriately matched seals.

## ...Easy to Lubricate

Lubrication is made considerably simpler by the presence of two threaded holes for grease lubrication and one threaded hole for grease outlet that are sealed with screw plugs during manufacture.

The new grease outlet hole provided as standard on the bottom edge of the housing is an inconspicuous design change that can quickly secure a competitive advantage. Excess grease can escape from the bottom of the housing if excess pressure occurs and the bearing cannot be over greased. Furthermore, there is an additional lubrication hole that allows easier re-lubrication of ball bearings, for example.

## Dimensions and Interchangeability

The dimensions of the housings SNV correspond to ISO 113 and DIN 736 to DIN 739. The housings SNV are interchangeable with the existing housings SN and SNE.

## Suitable Bearings

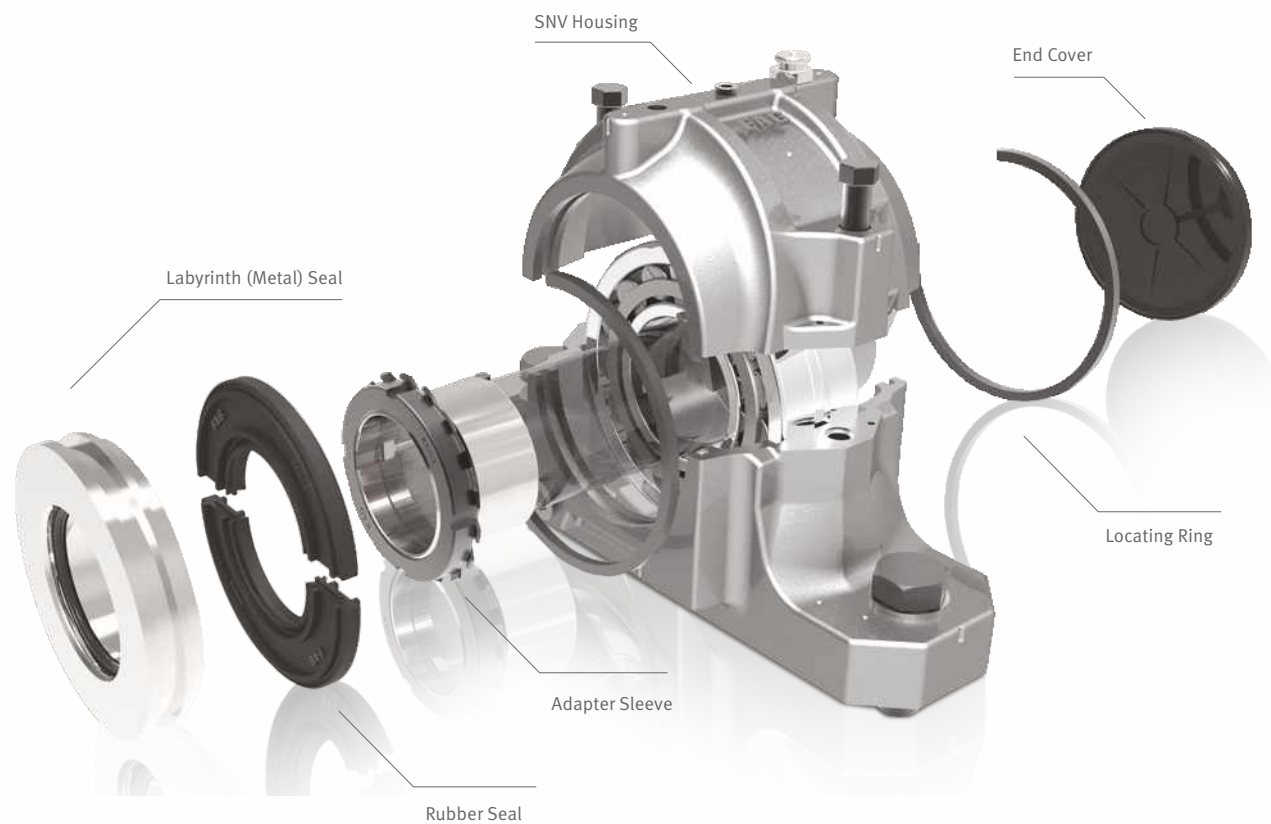
Split plummer block housings SNV are suitable for fitting with spherical roller bearings, barrel roller bearings and self-aligning ball bearings with a tapered or cylindrical bore as well as deep groove ball bearings, see table. The range of shaft diameters is 20 mm to 160 mm and 3/4 inch to 5 1/2 inch.

# SNV Designation

## HOUSING

SNV 513 - L - DH - U

SNV	5	13	L	DH	U
<b>SNV</b> Housing Designation	<b>Size code of bearing</b> 13 Bearing bore 13 x 5 = 65 mm	<b>Housing Material</b> L-Flake graphite cast iron D-Spheroidal graphite cast iron	<b>Seal Type</b> DH-Rubber Seal TSV-Labyrinth (Metal) Seal	<b>Designation for KIT</b> U : 1 No of Housing + 2 no of seals + 1 no of End Cover	
<b>Housing series and shaft mounting</b>					
2 - Cylindrical shaft mounting, suitable for Bearing series 62xx, 12xx, 212xx, 222xx etc.					
3 - Cylindrical shaft mounting, suitable for Bearing series 63xx, 13xx, 23xx, 223xx etc.					
5 - Adapter sleeve mounting, suitable for Bearing series 62xx, 12xx, 212xx, 222xx etc.					
6 - Adapter sleeve mounting, suitable for Bearing series 63xx, 13xx, 23xx, 223xx etc.					



# Benefits of buying all the components from Schaeffler



## Bearing Lubrication for smooth performance

### XTRA3 multipurpose premium grease

Schaeffler's Arcanol and XTRA3 multipurpose premium grease are high performance products scientifically engineered to meet and exceed the demanding requirements for applications at extreme temperatures. The balanced formulation makes them the preferred choice of grease across a wide variety of machinery and components.



### ARCANOL lubricants

A Lubrication for multi-purpose, high temperature, high load & speed capacity, heavy vibration and food and beverage application.



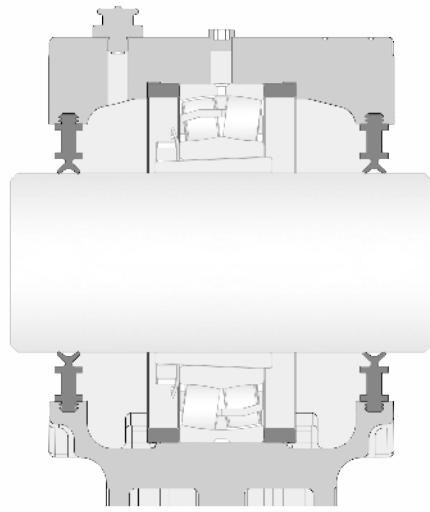
## Value for Money

- Longer Service Life
- Higher Reliability
- Longer Re-Greasing Interval
- Superior Corrosion Protection
- Excellent Structural Stability
- Superior Thermal and Oxidation Stability

\* Not part of Houing Kit, To be ordered separately



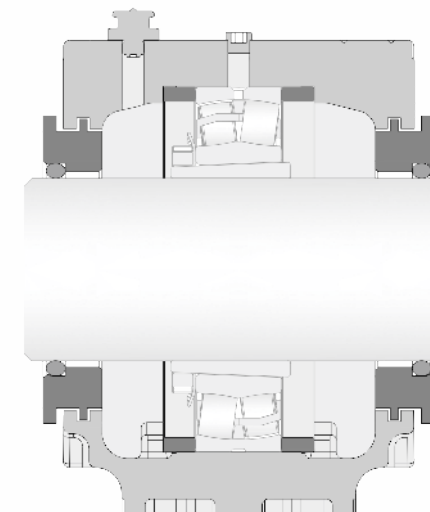
## SNV Housing with rubber seal suitable for adapter sleeve mounting



SNV Housing with Rubber seal  
suitable for adapter sleeve

Sr. No.	Schaeffler KIT No.	Best Fit Bearings
1	SNV508-L-DH-U	1208-K,20208-K,2208-K,22208-K
2	SNV509-L-DH-U	1209-K,20209-K,2209-K,22209-K
3	SNV510-L-DH-U	1210-K,20210-K,2210-K,22210-K,
4	SNV511-L-DH-U	1211-K,20211-K,2211-K,22211-K
5	SNV512-L-DH-U	1212-K,20212-K,2212-K,22212-K
6	SNV513-L-DH-U	1213-K,20213-K,2213-K,22213-K
7	SNV515-L-DH-U	1215-K,20215-K,2215-K,22215-K
8	SNV516-L-DH-U	1216-K,20216-K,2216-K,22216-K
9	SNV517-L-DH-U	1217-K,20217-K,2217-K,22217-K
10	SNV518-L-DH-U	1218-K,20218-K,2218-K,22218-K,23218-K
11	SNV519-L-DH-U	1219-K,2219-K,22219-K
12	SNV520-L-DH-U	1220-K,20220-K,2220-K,22220-K,23220-K
13	SNV522-L-DH-U	1222-K,20222-K,2222-K,22222-K,23222-K
14	SNV524-L-DH-U	20224-K,22224-K,23224-K,22324-K
15	SNV607-L-DH-U	1307-K,21307-K,2307-K
16	SNV608-L-DH-U	1308-K,21308-K,2308-K,22308-K
17	SNV609-L-DH-U	1309-K,21309-K,2309-K,22309-K
18	SNV610-L-DH-U	1310-K,21310-K,2310-K,22310-K
19	SNV611-L-DH-U	1311-K,20311-K,21311-K,2311-K,22311-K
20	SNV612-L-DH-U	1312-K,20312-K,21312-K,2312-K,22312-K
21	SNV613-L-DH-U	1313-K,20313-K,21313-K,2313-K,22313-K
22	SNV615-L-DH-U	1315-K,21315-K,2315-K,22315-K
23	SNV616-L-DH-U	1316-K,21316-K,2316-K,22316-K
24	SNV617-L-DH-U	1317-K,21317-K,2317-K,22317-K
25	SNV619-L-DH-U	1319-K,21319-K,2319-K,22319-K
26	SNV620-L-DH-U	1320-K,20320-K,21320-K,2320-K,22320-K

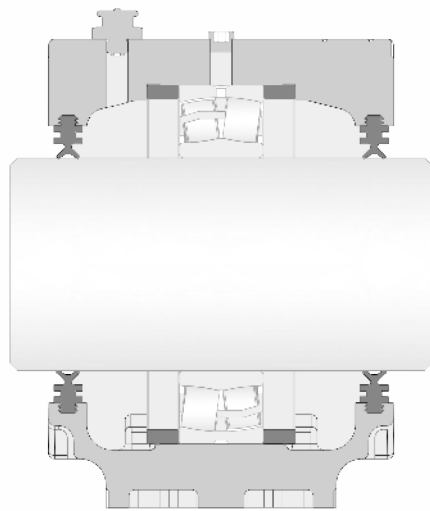
## SNV Housing with Labyrinth seal suitable for adapter sleeve mounting



SNV Housing with Labyrinth seal  
suitable for adapter sleeve

Sr. No.	Schaeffler KIT No.	Best Fit Bearings
1	SNV508-L-TSV-U	1208-K,20208-K,2208-K,22208-K
2	SNV509-L-TSV-U	1209-K,20209-K,2209-K,22209-K
3	SNV510-L-TSV-U	1210-K,20210-K,2210-K,22210-K,
4	SNV511-L-TSV-U	1211-K,20211-K,2211-K,22211-K
5	SNV512-L-TSV-U	1212-K,20212-K,2212-K,22212-K
6	SNV513-L-TSV-U	1213-K,20213-K,2213-K,22213-K
7	SNV515-L-TSV-U	1215-K,20215-K,2215-K,22215-K
8	SNV516-L-TSV-U	1216-K,20216-K,2216-K,22216-K
9	SNV517-L-TSV-U	1217-K,20217-K,2217-K,22217-K
10	SNV518-L-TSV-U	1218-K,20218-K,2218-K,22218-K,23218-K
11	SNV519-L-TSV-U	1219-K,2219-K,22219-K
12	SNV520-L-TSV-U	1220-K,20220-K,2220-K,22220-K,23220-K
13	SNV522-L-TSV-U	1222-K,20222-K,2222-K,22222-K,23222-K
14	SNV524-L-TSV-U	20224-K,22224-K,23224-K,22324-K
15	SNV607-L-TSV-U	1307-K,21307-K,2307-K
16	SNV608-L-TSV-U	1308-K,21308-K,2308-K,22308-K
17	SNV609-L-TSV-U	1309-K,21309-K,2309-K,22309-K
18	SNV610-L-TSV-U	1310-K,21310-K,2310-K,22310-K
19	SNV611-L-TSV-U	1311-K,20311-K,21311-K,2311-K,22311-K
20	SNV612-L-TSV-U	1312-K,20312-K,21312-K,2312-K,22312-K
21	SNV613-L-TSV-U	1313-K,20313-K,21313-K,2313-K,22313-K
22	SNV615-L-TSV-U	1315-K,21315-K,2315-K,22315-K
23	SNV616-L-TSV-U	1316-K,21316-K,2316-K,22316-K
24	SNV617-L-TSV-U	1317-K,21317-K,2317-K,22317-K
25	SNV619-L-TSV-U	1319-K,21319-K,2319-K,22319-K
26	SNV620-L-TSV-U	1320-K,20320-K,21320-K,2320-K,22320-K

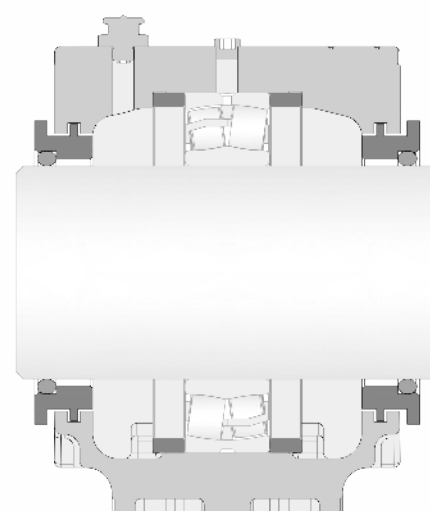
## SNV Housing with rubber seal suitable for cylindrical shaft mounting



SNV Housing with Rubber seal  
suitable for cylindrical shaft

Sr. No.	Schaeffler KIT No.	Best Fit Bearings
1	SNV208-L-DH-U	1208,20208,2208,22208
2	SNV209-L-DH-U	1209,20209,2209,22209
3	SNV210-L-DH-U	1210,20210,2210,22210
4	SNV211-L-DH-U	1211,20211,2211,22211
5	SNV212-L-DH-U	1212,20212,2212,22212
6	SNV213-L-DH-U	1213,20213,2213,22213
7	SNV215-L-DH-U	1215,20215,2215,22215
8	SNV216-L-DH-U	1216,20216,2216,22216
9	SNV217-L-DH-U	1217,20217,2217,22217
10	SNV218-L-DH-U	1218,20218,2218,22218,23218
11	SNV219-L-DH-U	1219,20219,2219,22219
12	SNV220-L-DH-U	1220,20220,2220,22220,23220
13	SNV222-L-DH-U	1222,20222,2222,22222,23222
14	SNV224-L-DH-U	20224,22224,23224,,20324,22324

## SNV Housing with Labyrinth seal suitable for cylindrical shaft mounting



SNV Housing with Labyrinth seal  
suitable for cylindrical shaft

Sr. No.	Schaeffler KIT No.	Best Fit Bearings
1	SNV208-L-TSV-U	1208,20208,2208,22208
2	SNV209-L-TSV-U	1209,20209,2209,22209
3	SNV210-L-TSV-U	1210,20210,2210,22210
4	SNV211-L-TSV-U	1211,20211,2211,22211
5	SNV212-L-TSV-U	1212,20212,2212,22212
6	SNV213-L-TSV-U	1213,20213,2213,22213
7	SNV214-L-TSV-U	1314,20314,21314,2314,22314
8	SNV215-L-TSV-U	1215,20215,2215,22215
9	SNV216-L-TSV-U	1216,20216,2216,22216
10	SNV217-L-TSV-U	1217,20217,2217,22217
11	SNV218-L-TSV-U	1218,20218,2218,22218,23218
12	SNV219-L-TSV-U	1219,20219,2219,22219
13	SNV220-L-TSV-U	1220,20220,2220,22220,23220
14	SNV222-L-TSV-U	1222,20222,2222,22222,23222
15	SNV224-L-TSV-U	20224,22224,23224,20324,22324

# Accessories list

## Locating Ring



Sr. No.	Locating Rings	Bearing types	Housing KIT type
1	FRM80/4	2307-K	SNV607-L-DH-U, SNV607-L-TSV-U
2	FRM80/8	2208, 22208	SNV208-L-DH-U, SNV208-L-TSV-U
		2208-K, 22208-K	SNV508-L-DH-U, SNV508-L-TSV-U
3	FRM80/9	1307-K, 21307-K	SNV607-L-DH-U, SNV607-L-TSV-U
4	FRM80/10.5	1208	SNV208-L-DH-U, SNV208-L-TSV-U
		1208-K	SNV508-L-DH-U, SNV508-L-TSV-U
5	FRM85/4	2209, 22209	SNV209-L-DH-U, SNV209-L-TSV-U
		2209-K, 22209-K	SNV509-L-DH-U, SNV509-L-TSV-U
6	FRM85/6	1209	SNV209-L-DH-U, SNV209-L-TSV-U
		1209-K	SNV509-L-DH-U, SNV509-L-TSV-U
7	FRM90/4	22308-K, 2308-K	SNV608-L-DH-U, SNV608-L-TSV-U
8	FRM90/9	2210, 22210	SNV210-L-DH-U, SNV210-L-TSV-U
		2210-K, 22210-K	SNV510-L-DH-U, SNV510-L-TSV-U
		1308-K, 21308-K	SNV608-L-DH-U, SNV608-L-TSV-U
9	FRM90/10.5	1210	SNV210-L-DH-U, SNV210-L-TSV-U
		1210-K	SNV510-L-DH-U, SNV510-L-TSV-U
10	FRM100/4	22309-K, 2309-K	SNV609-L-DH-U, SNV609-L-TSV-U
11	FRM100/9.5	2211, 22211	SNV211-L-DH-U, SNV211-L-TSV-U
		2211-K, 22211-K	SNV511-L-DH-U, SNV511-L-TSV-U
		1309-K, 21309-K	SNV609-L-DH-U, SNV609-L-TSV-U
12	FRM100/11.5	1211	SNV211-L-DH-U, SNV211-L-TSV-U
		1211-K	SNV511-L-DH-U, SNV511-L-TSV-U
13	FRM110/4	22310-K, 2310-K	SNV610-L-DH-U, SNV610-L-TSV-U
14	FRM110/10	2212, 22212	SNV212-L-DH-U, SNV212-L-TSV-U
		2212-K, 22212-K	SNV512-L-DH-U, SNV512-L-TSV-U
15	FRM110/10.5	1310-K, 21310-K	SNV610-L-DH-U, SNV610-L-TSV-U
16	FRM110/13	1212	SNV212-L-DH-U, SNV212-L-TSV-U
		1212-K	SNV512-L-DH-U, SNV512-L-TSV-U
17	FRM120/4	22311-K, 2311-K	SNV611-L-DH-U, SNV611-L-TSV-U
18	FRM120/10	2213, 22213	SNV213-L-DH-U, SNV213-L-TSV-U
		2213-K, 22213-K	SNV513-L-DH-U, SNV513-L-TSV-U
19	FRM120/11	1311-K, 21311-K	SNV611-L-DH-U, SNV611-L-TSV-U
20	FRM120/14	1213	SNV213-L-DH-U, SNV213-L-TSV-U
		1213-K	SNV513-L-DH-U, SNV513-L-TSV-U
21	FRM130/5	22312-K, 2312-K	SNV612-L-DH-U, SNV612-L-TSV-U
22	FRM130/12.5	2215, 22215	SNV215-L-DH-U, SNV215-L-TSV-U
		2215-K, 22215-K	SNV515-L-DH-U, SNV515-L-TSV-U
		1312-K, 21312-K	SNV612-L-DH-U, SNV612-L-TSV-U
23	FRM130/15.5	1215	SNV215-L-DH-U, SNV215-L-TSV-U
		1215-K	SNV515-L-DH-U, SNV515-L-TSV-U
24	FRM140/5	22313-K, 2313-K	SNV613-L-DH-U, SNV613-L-TSV-U
25	FRM140/12.5	2216, 22216	SNV216-L-DH-U, SNV216-L-TSV-U
		2216-K, 22216-K	SNV516-L-DH-U, SNV516-L-TSV-U
		1313-K, 21313-K	SNV613-L-DH-U, SNV613-L-TSV-U

Sr. No.	Locating Rings	Bearing types	Housing KIT type
26	FRM140/16	1216	SNV216-L-DH-U, SNV216-L-TSV-U
		1216-K	SNV516-L-DH-U, SNV516-L-TSV-U
27	FRM150/5	2314, 22314	SNV214-L-TSV-U
28	FRM150/12.5	2217, 22217	SNV217-L-DH-U, SNV217-L-TSV-U
		2217-K, 22217-K	SNV517-L-DH-U, SNV517-L-TSV-U
29	FRM150/13	1314, 21314	SNV214-L-TSV-U
30	FRM150/16.5	1217	SNV217-L-DH-U, SNV217-L-TSV-U
		1217-K	SNV517-L-DH-U, SNV517-L-TSV-U
31	FRM160/5	22315-K, 2315-K	SNV615-L-DH-U, SNV615-L-TSV-U
		23218	SNV218-L-DH-U, SNV218-L-TSV-U
32	FRM160/6.3	23218-K	SNV518-L-DH-U, SNV518-L-TSV-U
		2218, 22218	SNV218-L-DH-U, SNV218-L-TSV-U
33	FRM160/12.5	2218-K, 22218-K	SNV518-L-DH-U, SNV518-L-TSV-U
		1315-K, 21315-K	SNV615-L-DH-U, SNV615-L-TSV-U
34	FRM160/14	1315-K, 21315-K	SNV615-L-DH-U, SNV615-L-TSV-U
35	FRM160/17.5	1218	SNV218-L-DH-U, SNV218-L-TSV-U
		1218-K	SNV518-L-DH-U, SNV518-L-TSV-U
36	FRM170/5	22316-K, 2316-K	SNV616-L-DH-U, SNV616-L-TSV-U
37	FRM170/12.5	2219, 22219	SNV219-L-DH-U, SNV219-L-TSV-U
		2219-K, 22219-K	SNV519-L-DH-U, SNV519-L-TSV-U
38	FRM170/14.5	1316-K, 21316-K	SNV616-L-DH-U, SNV616-L-TSV-U
39	FRM170/18	1219	SNV219-L-DH-U, SNV219-L-TSV-U
		1219-K	SNV519-L-DH-U, SNV519-L-TSV-U
40	FRM180/4.85	23220	SNV220-L-DH-U, SNV220-L-TSV-U
		23220-K	SNV520-L-DH-U, SNV520-L-TSV-U
41	FRM180/5	22317-K, 2317-K	SNV617-L-DH-U, SNV617-L-TSV-U
42	FRM180/12	2220, 22220	SNV220-L-DH-U, SNV220-L-TSV-U
		2220-K, 22220-K	SNV520-L-DH-U, SNV520-L-TSV-U
43	FRM180/14.5	1317-K, 21317-K	SNV617-L-DH-U, SNV617-L-TSV-U
44	FRM180/18	1220	SNV220-L-DH-U, SNV220-L-TSV-U
		1220-K	SNV520-L-DH-U, SNV520-L-TSV-U
45	FRM200/5.1	23222	SNV222-L-DH-U, SNV222-L-TSV-U
		23222-K	SNV522-L-DH-U, SNV522-L-TSV-U
46	FRM200/6.5	22319-K, 2319-K	SNV619-L-DH-U, SNV619-L-TSV-U
47	FRM200/13.5	2222, 22222	SNV222-L-DH-U, SNV222-L-TSV-U
		22222-K, 2222-K	SNV522-L-DH-U, SNV522-L-TSV-U
48	FRM200/17.5	1319-K, 21319-K	SNV619-L-DH-U, SNV619-L-TSV-U
49	FRM200/21	1222	SNV222-L-DH-U, SNV222-L-TSV-U
		1222-K	SNV522-L-DH-U, SNV522-L-TSV-U
50	FRM215/5	23224	SNV224-L-DH-U, SNV224-L-TSV-U
		23224-K	SNV524-L-DH-U, SNV524-L-TSV-U
51	FRM215/6.5	22320-K, 2320-K	SNV620-L-DH-U, SNV620-L-TSV-U
52	FRM215/14	22224	SNV224-L-DH-U, SNV224-L-TSV-U
		22224-K	SNV524-L-DH-U, SNV524-L-TSV-U
53	FRM215/19.5	1320-K, 21320-K	SNV620-L-DH-U, SNV620-L-TSV-U